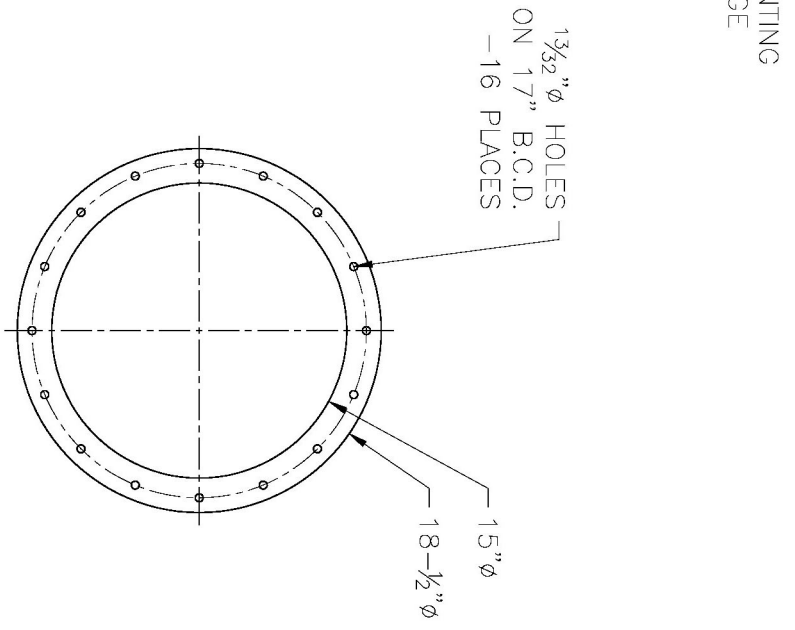


MAX. 24" DIA. PROPELLER



MOUNTING FLANGE DIMENSIONS

THE INFORMATION CONTAINED IN THIS DRAWING IS THE SOLE PROPERTY OF OLYMPIC DRIVES & EQUIPMENT LTD. REPRODUCTION OR TRANSMISSION WITHOUT THE WRITTEN PERMISSION OF OLYMPIC DRIVES & EQUIPMENT LTD. IS PROHIBITED.



OLYMPIC DRIVES & EQUIPMENT LTD.  
 UNIT 120, 6751 GRAYBAR RD, RICHMOND  
 BRITISH COLUMBIA, CANADA, V6W 1H3  
 PHONE (604)-207-8444 FAX (604)-207-8441  
 www.olympicdrives.com

OLYMPIC MODEL UD2 STEERABLE  
 DRIVE MOUNTING DIMENSIONS

MANUFACTURERS OF 360° AZIMUTHING THRUSTERS

DRAWN BY: P.D.W. CHECKED BY: M.L.G.

SCALE: N.T.S.

DATE: DECEMBER, 2003

REF. NO.: \_\_\_\_\_

DRAWING NO. **D-0069** REV. \_\_\_\_\_