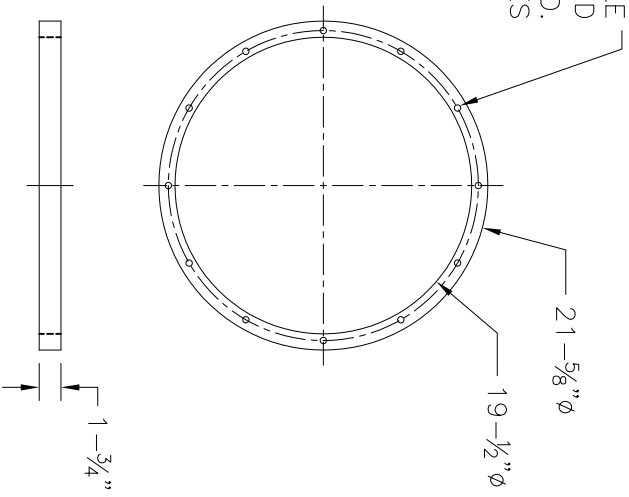


27/64"  $\phi$  HOLE  
EQUALLY SPACED  
ON 20-3/8" B.C.D.  
- 12 PLACES

MOUNTING  
FLANGE

MOUNTING FLANGE DIMENSIONS



MAX. 27" DIA.  
PROPELLER

THE INFORMATION CONTAINED IN THIS DRAWING IS THE SOLE PROPERTY  
OF OLYMPIC DRIVES & EQUIPMENT LTD. ANY REPRODUCTION IN PART OR WHOLE  
WITHOUT THE WRITTEN PERMISSION OF OLYMPIC EQUIPMENT IS PROHIBITED.



OLYMPIC MODEL SD1 STEERABLE  
DRIVE MOUNTING DIMENSIONS

OLYMPIC DRIVES & EQUIPMENT LTD.  
UNIT 120, 6751 GAYBAR RD, RICHMOND  
BRITISH COLUMBIA, CANADA V6V 1H3  
PHONE (604)-207-8444 FAX (604)-207-8441  
www.olympicdrives.com

MANUFACTURERS OF 360° AZIMUTHING THRUSTERS

DRAWN BY: P.D.W. CHECKED BY: M.L.G.

SCALE: N.T.S. DRAWING NO. REV.

DATE: DECEMBER, 2003 D-0070 A

REF NO.: \_\_\_\_\_